

Data sheet

ez tow

AUTONOMOUS TOW TRACTOR

For airports and industrial sites



Up to 24/7



Outdoors/indoors



Fleet management
system



Outdoors/indoors

Increased safety, efficiency and reliability



Productivity

- Operates up to 24/7 in complex indoor and outdoor environments, without dedicated infrastructure
- For airports, industrial and logistics sites, increasing productivity, and competitiveness

Flexibility

- Navigates in mixed traffic
- Handles existing infrastructure
- No need for site adaptations
- Intuitive fleet management system
- Interfaces with existing systems (e.g. WMS)

Safety

- Uses a range of sensors to navigate complex environments
- Designed to highest safety standards
- Step-by-step approach founded on years of deployment

Cost optimization

- Procurement models include purchasing, leasing and pay-per-use
- Reduces the costs of logistics operations, losses and damages
- Engage workforce with high value-added tasks

Performance

- Robust vehicle platform by TLD
- Leading autonomous technology by EasyMile
- Transports high payloads at higher speed than regular AGVs

Efficiency

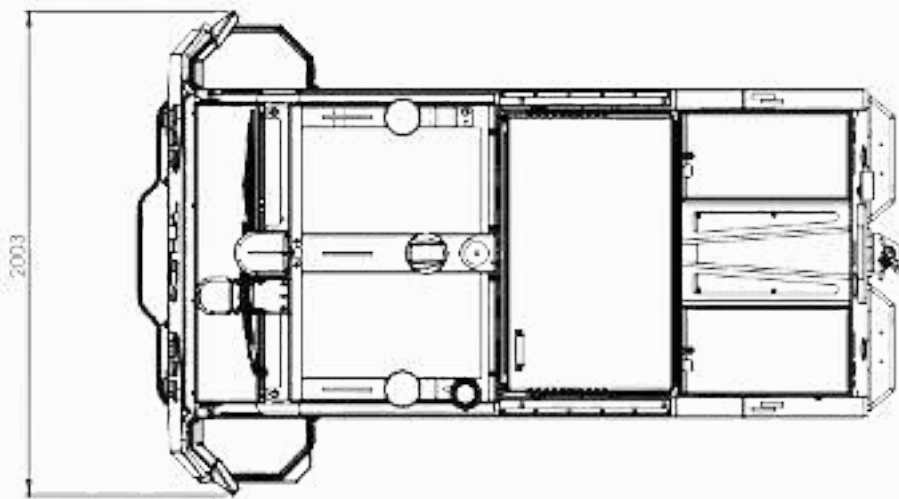
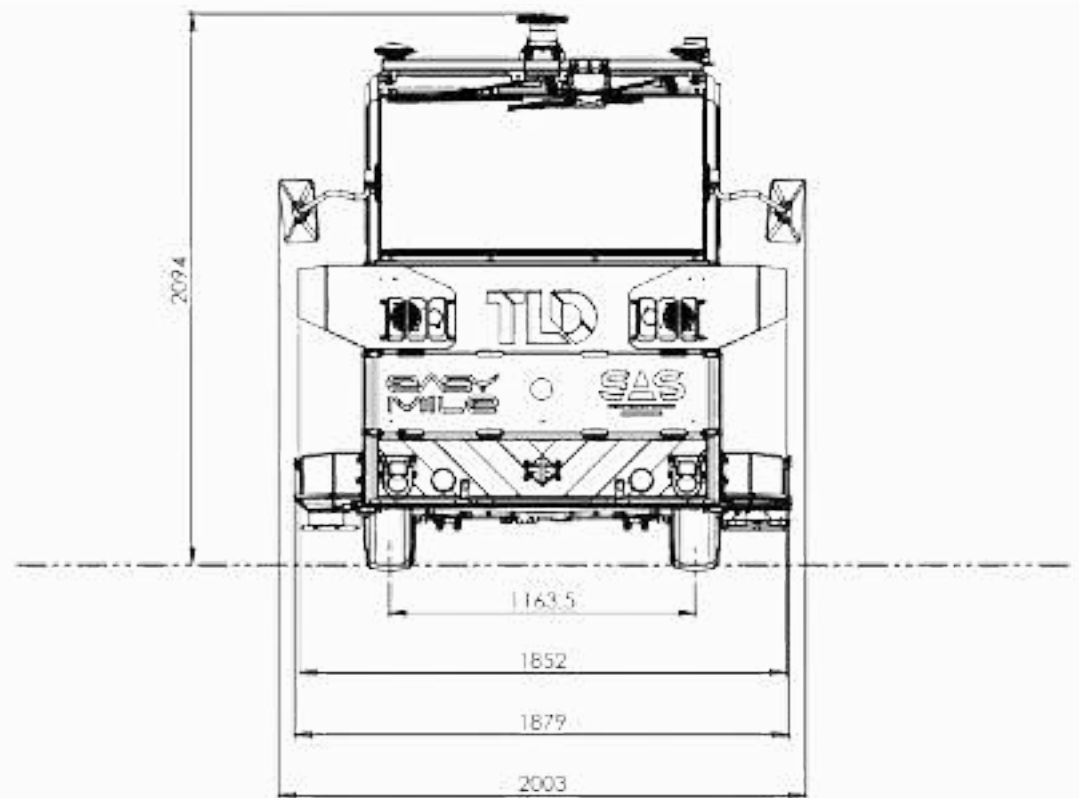
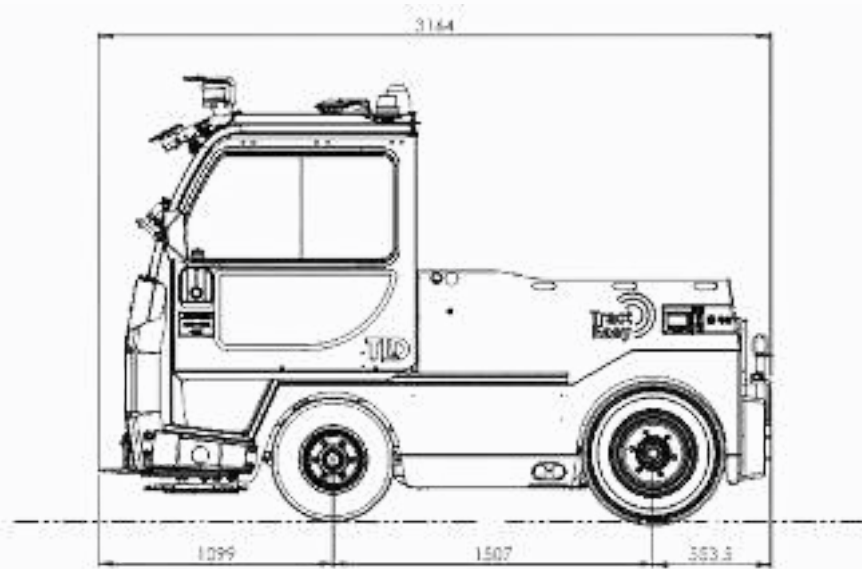
- Automating key towing processes and integrating real-time data analytics minimizes downtime.
- Smoother workflows, optimized resource allocation, and maximized asset use
- Uninterrupted and highly productive operations.

Technical data

According to VDI 2198

CHARACTERISTICS			
1.1	Manufacturer		TLD/EasyMile
1.2	Model designation		EZTow
1.3	Power unit		Electric
1.4	Operation mode		Hybrid (Autonomous / Manual)
1.5	Rated tractive force (Automated / Manual)	Metric tons	14/25
1.7	Rated drawbar pull	F (daN)	2000
1.9	Wheelbase	y (mm)	1500
WEIGHT			
2.1	Service weight (without battery/with battery)	(Kg)	2570 (without battery) / 4170 (with battery)
2.2	Axle load without load, front / rear	(Kg)	2000 / 3000
TYRES-CHASSIS			
3.1	Tyres		Pneumatic
3.2	Tyre size, front		6.50 R10
3.3	Tyre size, rear		7.00 R12
3.4	Wheels, number front / rear (x = driven)		2 / 2x
3.5	Track width, front	b10 (mm)	1360
3.6	Track width, rear	b11 (mm)	1360
DIMENSIONS			
4.1	Height of overhead guard (cabin)	h6 (mm)	2100
4.2	Height of seat/stand-on platform	h7 (mm)	820
4.3	Towing coupling height	h10 (mm)	350 & 435
4.4	Overall length	l1 (mm)	3200
4.5	Overall width	b1 (mm)	1900
4.6	Ground clearance, centre of wheelbase	m2 (mm)	160*
4.7	Turning radius (automated / manual)	Wa (mm)	4750 / 3600
PERFORMANCE			
5.1	Travel speed maximum (automated)	(Km/h)	15
5.2	Service brake		Electric/hydraulic
ELECTRIC MOTOR			
6.1	Drive motor rating (S2-60 min)	(kW)	13
6.2	Battery voltage/nominal capacity K5	(V/Ah)	Lead-acid battery: 80 / 620, Lithium-Ion battery: 80 / 554
6.3	Lead-acid battery weight (± 5%)	(kg)	1600
DRIVE			
7.1	Type of drive unit		AC
7.2	Coupling		2-levels manual rear hitch
7.3	Wheel drive		Hydraulic
7.4	Parking brake		Hydraulic
OPERATIONS			
8.1	Main components for localization and navigation		Hybrid localization and navigation technology relying on: GNSS, Lidar, camera, odometry, inertial measurement unit
8.2	Main components for safety		Lidars, safety ECU, emergency stops, audio and visual signals
8.3	Communication features		4G connection to EasyMile Cloud infrastructure, NRTK and communication with infrastructure
8.4	Human-machine interface		Rear panel screen with buttons (outside), 7" Touchscreen (inside the cabin), Fleet Management Control Center (remote)
ENVIRONMENTAL CONDITIONS			
9.1	Rain	(mm/h)	20
9.2	Operating temperature, max/min	(°C)	+45 / -20
9.3	Storage temperature, max/min	(°C)	+50 / -20
9.4	Visibility	(m)	from 200
9.5	Snowflakes	(cm)	1 (with speed reduction)
9.6	Humidity	(%)	up to 90

Vehicle specifications



Options

- Energy: Lead-acid and Li-ion, battery and charger
- Automatic hooking/unhooking
- Communication with infrastructure (V2X)
- Custom paint on chassis, cabin and/or doors
- Specific needs can be studied on request

tracteasy

TractEasy GmbH
Kastanienallee 84
(Fabrikgebäude)
10435 Berlin, Germany

TractEasy LLC
3300 Walnut St, Unit 124
Denver CO 80205, United States

sales@tracteasy.com
www.tracteasy.com